

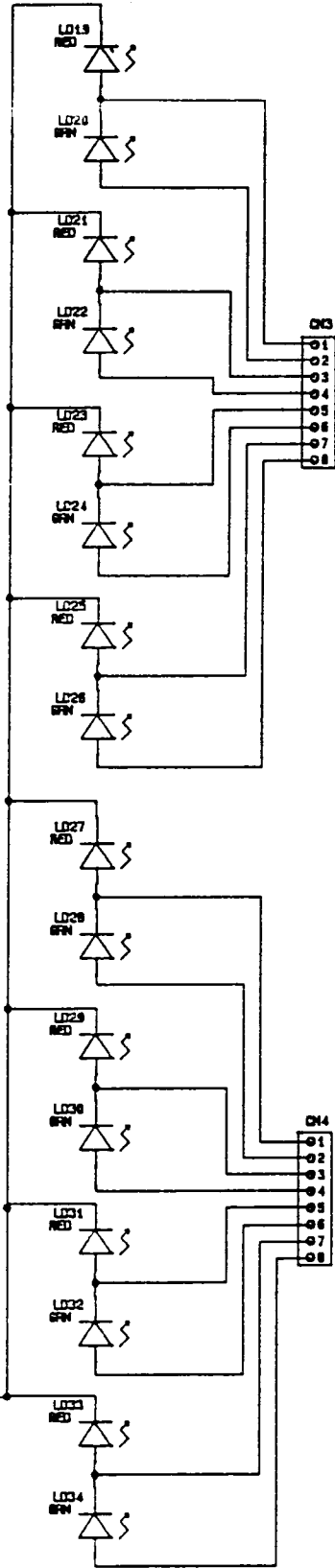
5

6

7

8

9



R

B

C

D

E

F

TITLE

FDS 318  
LED PCB

DRAWING NO.

318SB

SHEET

1

OF

1

SHEETS

3